



www-grupo-alite.eu

ALITE PARTS

009-015-02-001 / 009-015-02-002
ROTATING BAYONETS ALITE ALUMINIUM



MANUFACTURING

PG. CL De la Cierva, 16, 18 y 20
02600 VILLARROBLEDO, ALBACETE
ESPAÑA, Tif. +34 967 14 14 34

OFFICES ANDAFTER SALES

PG. CL De la Cierva 14
02600 VILLARROBLEDO, ALBACETE
ESPAÑA, Tif. +34 967 13 81 76



EXPORT INQUIRIES:



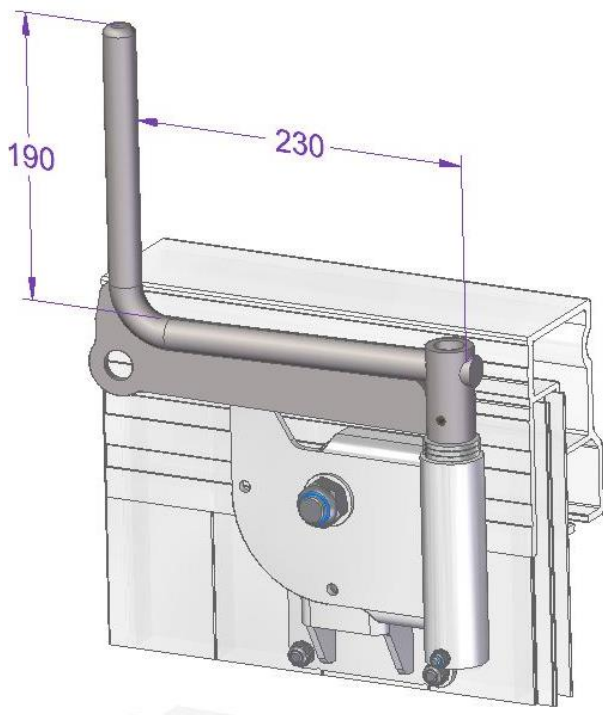
export4@grupo-alite.eu

English phone +34 648 13 08 98

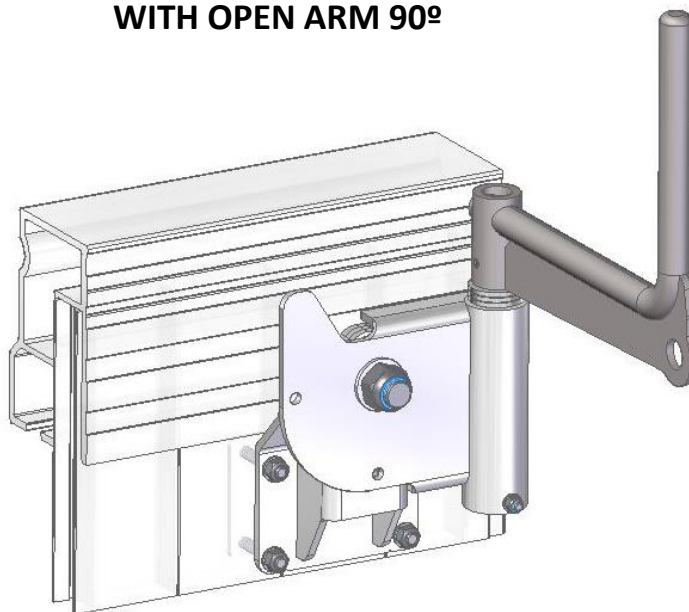
DESCRIPTION ROTATING BAYONET



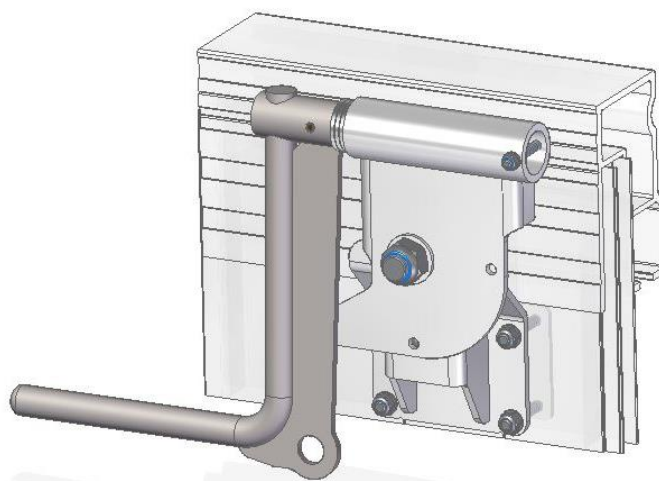
- **REF. 009-015-02-001** ROTATING BAYONET MOUNTING RIGHT SIDE IN RUNNING ORDER.
- **REF. 009-015-02-002** ROTATING BAYONET MOUNTING LEFT SIDE IN RUNNING ORDER.



**DETAIL MODEL 009-015-02-001
WITH OPEN ARM 90°**



- Aluminium integral construction AL5754 H111 and AL6005 T6
- Reduce down weight: 1,85 Kg.
- Direct screw mounting on the tipper side with internal reinforcement plate.
- Axial bearing for smoot hand prolonged operation.
- Delrin inner busching without the need of lubrication. The life of the element is extended.
- Manual lowering with double mechanical interlocking by ball positioner.
- Manual transverse rotation with return to folding position by mechanical spring.



**DETAIL MODEL 009-015-02-001
LOWERED IN RUNNING ORDER**

MOUNTING ON VEHICLE

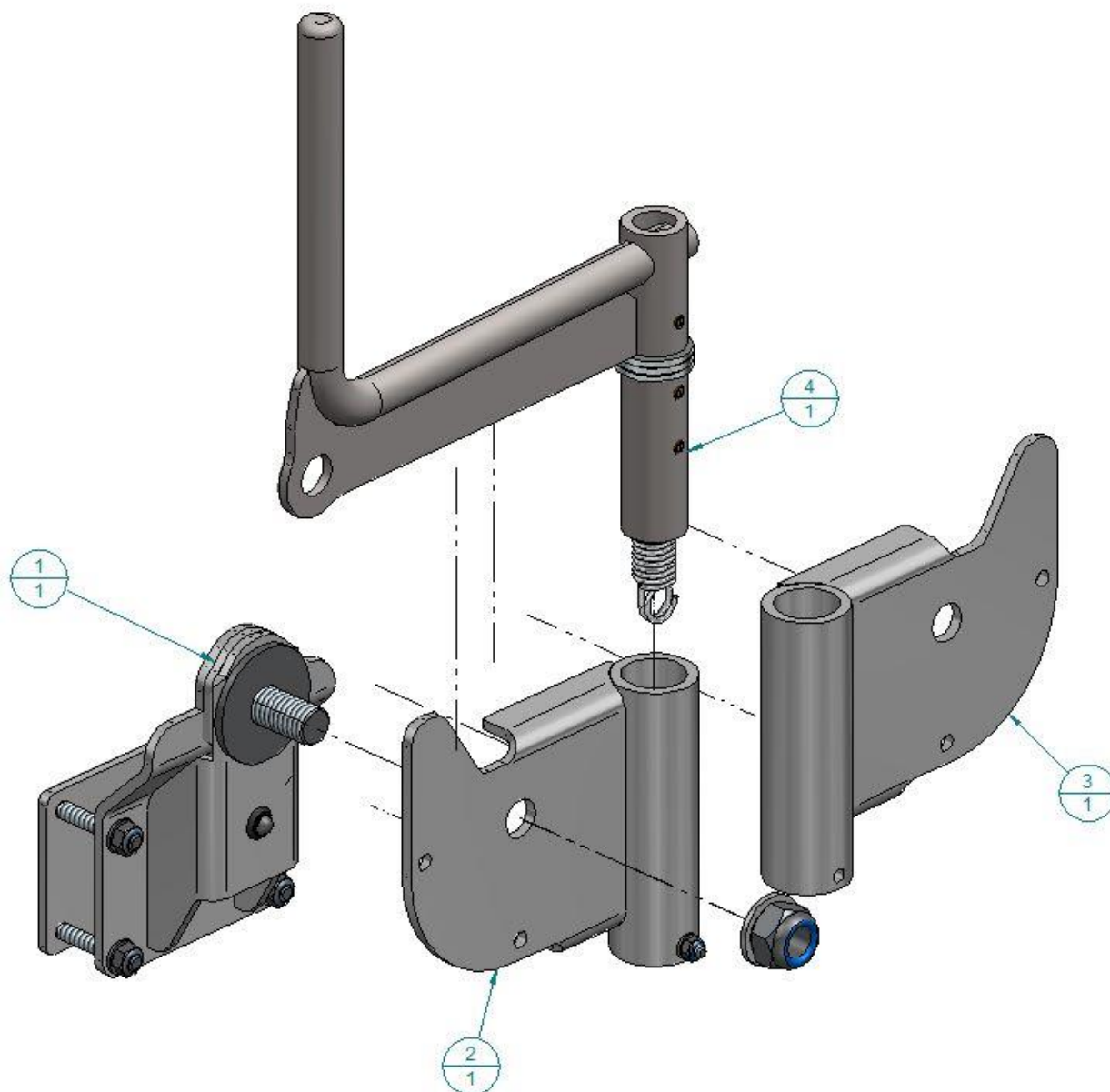


DETAIL OF THE MODEL MOUNTING 009-015-02-001 ON THE RIGHT SIDE IN RUNNING ORDER.



DETAIL OF THE LOWERED BAYONET IN RUNNING ORDER WITH LOCKING BY MECANIC BALL POSITIONER.

LIST OF PARTS AND ELEMENTS



LIST OF ELEMENTS FOR SEPARATESALE

Nº Element	Reference + Item name
1	009-015-02-2-001 Rotating bayonet basis ALITE
2	009-015-02-2-002 Body mounting right side running order rotating ALITE
3	009-015-02-2-003 Body mounting left side running order rotating ALITE
4	009-015-02-2-004 Complete armrotating bayonet ALITE

ALITE

**WE CONTROL THE
WHOLE PRODUCT**

OWN MANUFACTURING
!!!!